

COAL CHUTE



FEATURES:

- Two Common Chute Lengths: 14'-0" and 11'6"
- Mechanical Catch For Extendable Insert In Retracted Position
- Spring Assisted Crank In-Out With Plunger To Hold Chute In Intermediate Positions
- Integrated Slip-Clutch On Crank In-Out
- Tip Down Door Opened From Side Of Chute
- Side Guards on Main Frame (Not Shown)

OPTIONS:

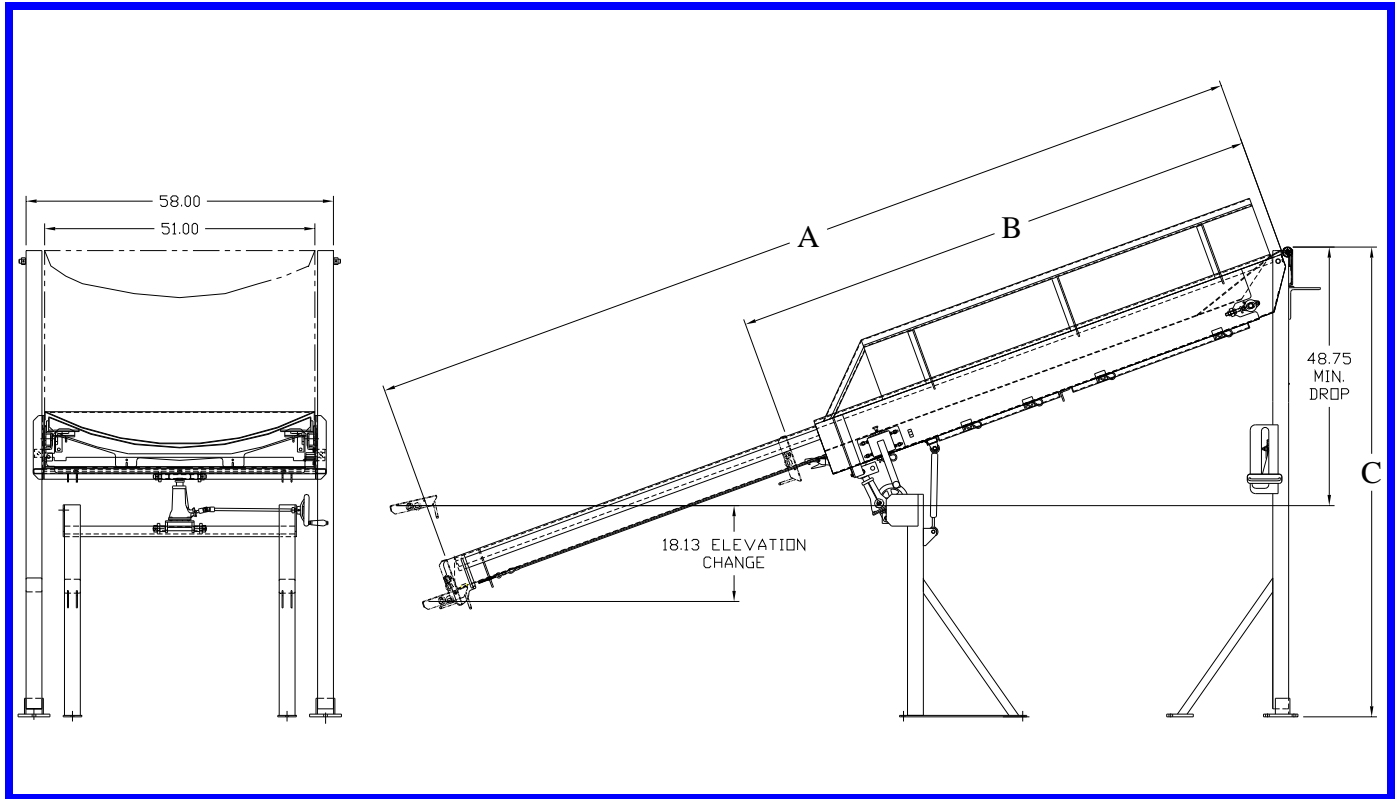
- Various Elevations
- Rain Shield Mounting Brackets
- Manual Extend Roller Loader To Fit Under Unit

“FIRST CLASS DOESN'T HAVE TO COST MORE”



WASP, Inc.
Box 249 ■ Glenwood, MN 56334
(320) 634-5126 FAX (320) 634-5891
www.waspinc.com

COAL CHUTE



	11'-6"	14'
A	11'-6"	14'-0"
B	7'-0"	8'-3 ³ / ₄ "
C	75"	88"

REAR STAND FEATURES:

- Spring Assist Pop-Up Roller To Hold Package Flow
- Mounting Angle For Feeding Roller Section

FRONT STAND FEATURES:

- Stabilizing Dampers Reduce Chute Rocking
- Adjustable Discharge Elevations Via Telescoping Bottle Jack



WASP, Inc.
 Box 249 ■ Glenwood, MN 56334
 (320) 634-5126 FAX (320) 634-5891
www.waspinc.com