

# UTILITY CART

---



---

## FEATURES:

- Heavy Duty Running Gear
- Four Wheel Steering for Accurate Tracking
- E-Style Rear Hitch, Twist Stay Open
- Heavy Duty Front Towbar
- Removable Side Post to Contain Load
- Right Side, Left Side or Both Sides Open
- Low Profile for Limited Headroom Access
- Painted per Customer Specification

## OPTIONS:

- Pneumatic Tires
- Modifications for Specific Requirements

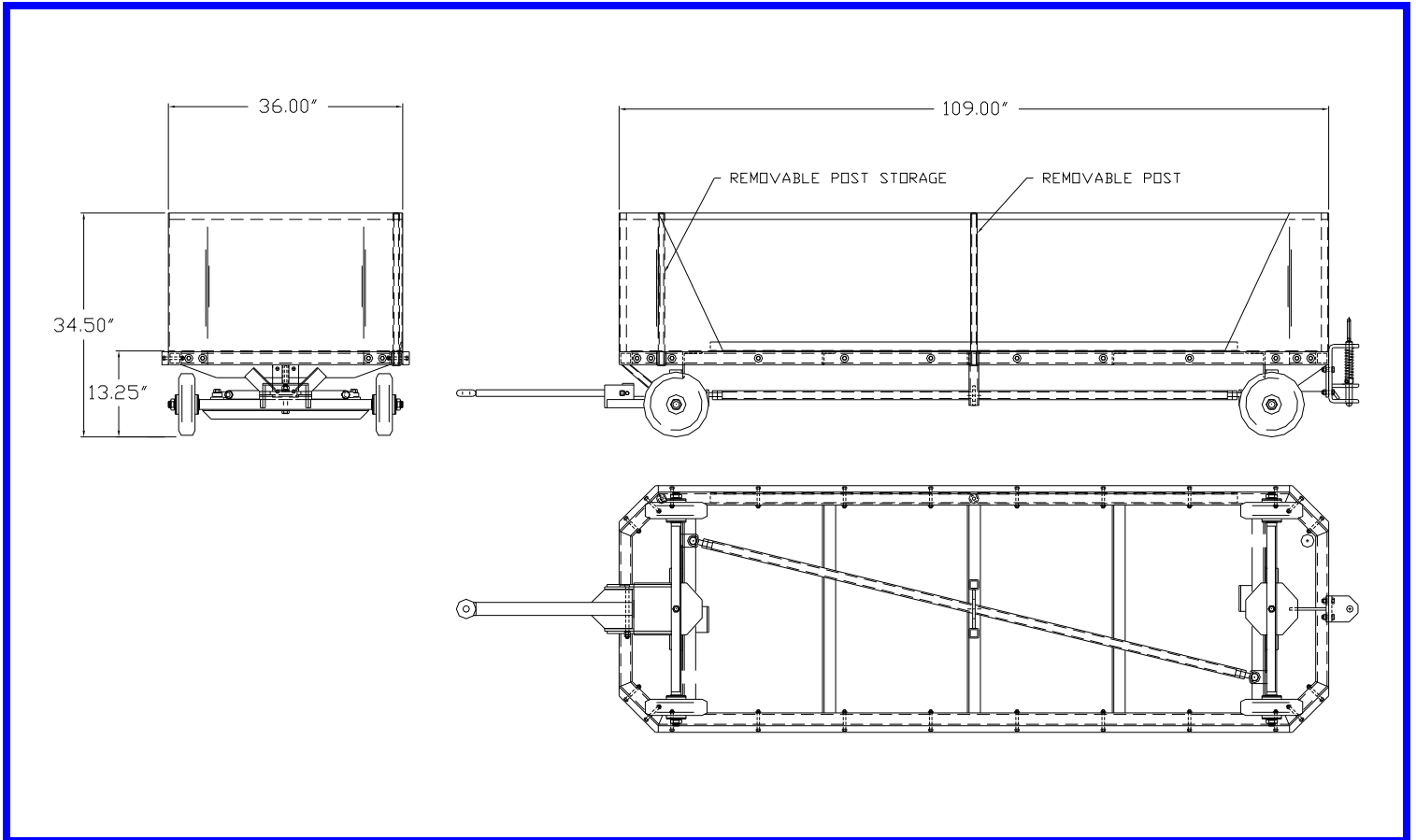
***“FIRST CLASS DOESN’T HAVE TO COST MORE”***

---



WASP, Inc.  
Box 249 ■ Glenwood, MN 56334  
(320) 634-5126 FAX (320) 634-5891  
[www.waspinc.com](http://www.waspinc.com)

# UTILITY CART



Shown with 10" Mold-On Rubber Wheels

## SPECIFICATIONS:

**UNIT LENGTH: 139.00"**

**UNIT WIDTH: 38.00"**

**BED LENGTH: 109.00"**

**BED WIDTH: 36.00"**

**BED HEIGHT: 13.25"**

**REAR HITCH: E-Type, Twist Stay Open**

**STEERING: 4-Wheel**

**WEIGHT: 664 Lbs.**



WASP, Inc.

Box 249 ■ Glenwood, MN 56334

(320) 634-5126 FAX (320) 634-5891

[www.waspinc.com](http://www.waspinc.com)