

TOWBARS



FEATURES:

- Hydraulic/Spring Retractable Undercarriage
- One Set of Spare Shear Bolts
- Timken Tapered Wheel Bearings
- 3.25" Dia. Swivel Lunette to Prevent Binding
- All Head Parts Zinc Plated
- Commonality of Parts for Easier Maintenance
- Epoxy Powdercoated per Customer Color

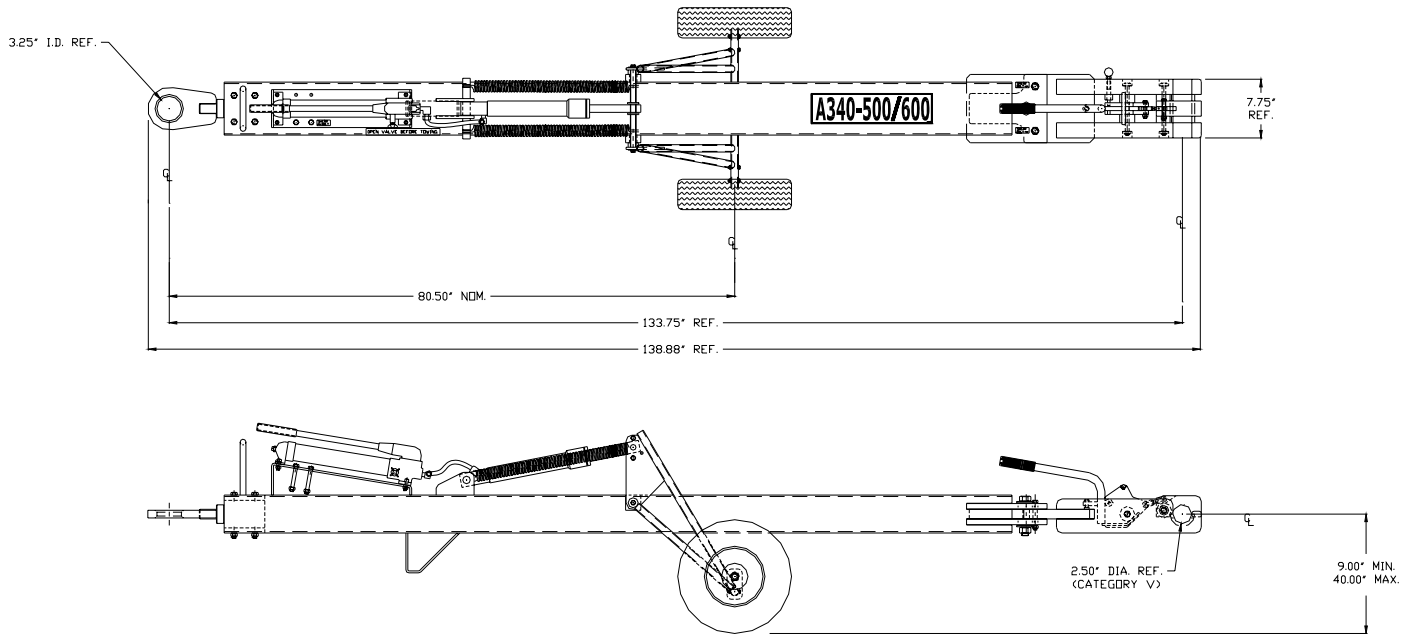
OPTIONS:

- Mechanical Retractable Undercarriage
- Paint Color Per Customer Standard
- Steel or Aluminum Tube

“FIRST CLASS DOESN'T HAVE TO COST MORE”

Watkins Aircraft Support Products
Box 249 ■ Glenwood, MN 56334
(320) 634-5885 FAX (320) 634-5881

TOWBARS



SPECIFICATIONS:

WEIGHT: 430 lbs. (195.46 kg)

OVERALL LENGTH: 133.75 inches

HEAD TYPE: Category V, 2.50 Diameter Pin

TIRES: 4:80 x 8 Pneumatic

HUBS/SPINDLES: 1 inch Diameter with Sealed Timken Bearings

TRACK WIDTH: 32.50 inches

MINIMUM HEIGHT FROM GROUND: 9 inches

MAXIMUM HEIGHT FROM GROUND: 40 inches

RIMS: One Piece Drop Center with Integral Hub

Watkins Aircraft Support Products
Box 249 ■ Glenwood, MN 56334
(320) 634-5885 FAX (320) 634-5881