

# TURNTABLE DOLLY

---



## Model A04603D Turntable Dolly

---

### FEATURES:

- Deck Size: LD-3/LD-4/LD-8
- 5400 lbs. (2449.4 kg) Cargo Capacity
- 20 MPH Towing Speed
- Heavy Duty Perimeter Frame
- Towbar Actuated Front Wheel Parking Brakes
- Double or Single Ackerman Steering
- Corners Tapered to Minimize Collision Damage
- Ramp-On Stops for Quick Loading
- Vertical Restraints
- Epoxy Powdercoated per Customer Color
- Hot Dip Galvanizing Optional

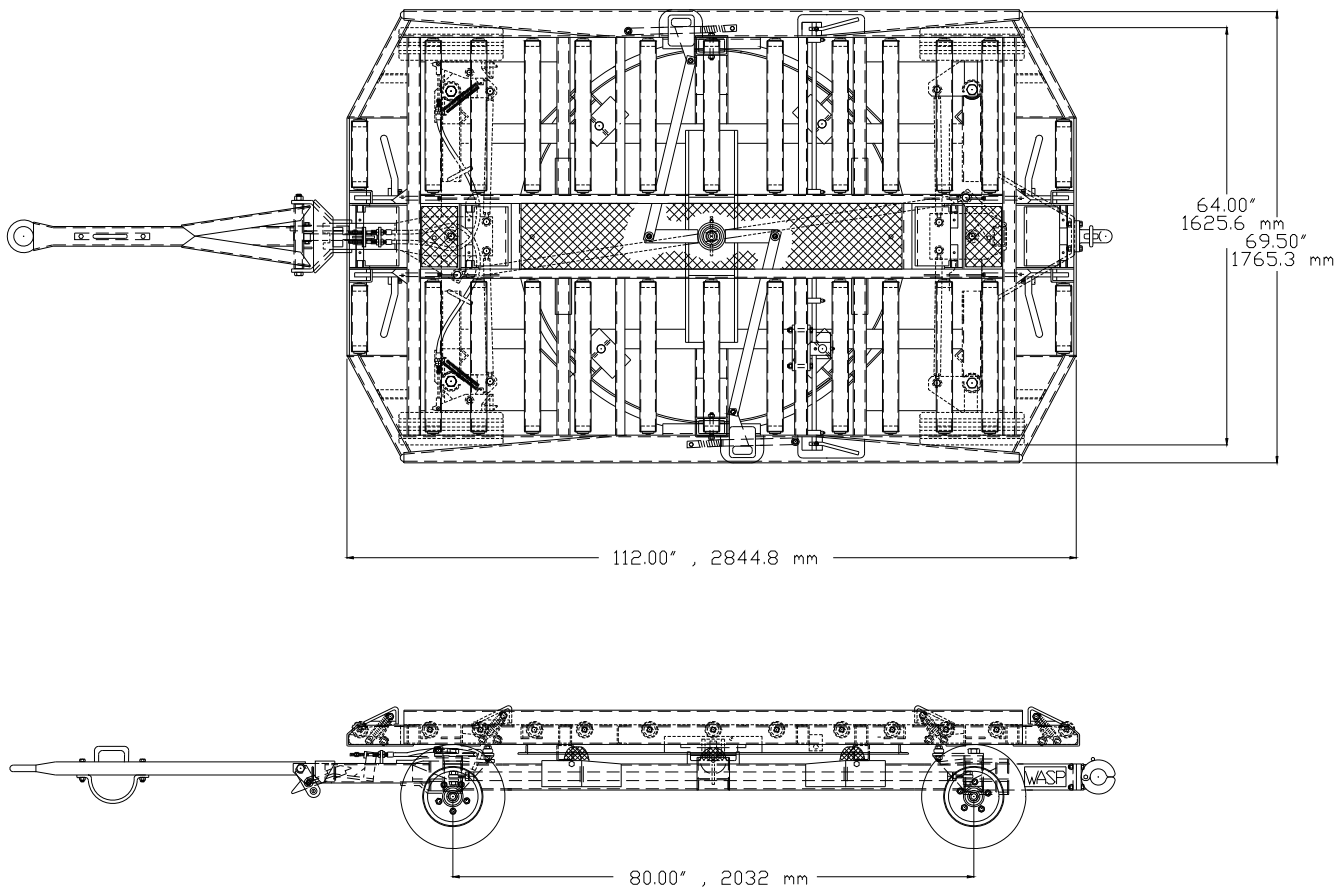
***“FIRST CLASS DOESN'T HAVE TO COST MORE”***

---

WASP, Inc.  
Box 249 ■ Glenwood, MN 56334  
(320) 634-5885 FAX (320) 634-5881

# LD-3/LD-4/LD-8 Turntable Dolly

---



---

## SPECIFICATIONS:

**WEIGHT:** 1910 lbs. (866.37 kg)

**TRACK WIDTH:** 60" (1524 mm)

**TIRES:** 4.00 x 8 Solid Rubber.

**HUBS:** 1-1/4" Dia., with Sealed Timken Bearings.

**WHEEL SPINDLES:** 1-3/4" Dia.

**TIE ROD ENDS:** 3/4" automotive type.

**RIMS:** 5 Bolt, 4-1/2" BC, 2-piece Demountable.

**REAR HITCH:** Pintle Type.

**REFLECTORS:** Per Customer Specification.

**BED ROLLERS:** 2-1/2" Dia., 11 GA., with Sealed Bearings and 11/16" Hex Shaft.