

# CONTAINER DOLLY

---



---

**Model A04307D - Double Ackerman Steering**  
**Model A04300D - Single Ackerman Steering**

## **FEATURES:**

- **Cargo Capacity: 2-LD-1, LD-2 or LD-3 Containers  
1-LD-4, LD-8 or LD-11 Container**
- **Cargo Capacity: 7,000 lbs. (3175.14 kg)**
- **20-25 MPH Towing Speed**
- **Double or Single Ackerman Steering**
- **All Sealed Bearings**
- **Towbar Actuated Front Brakes**
- **Main Frame Corners Radiused to Minimize Collision Damage**
- **Epoxy Powdercoated per Customer Color**

## **OPTIONAL:**

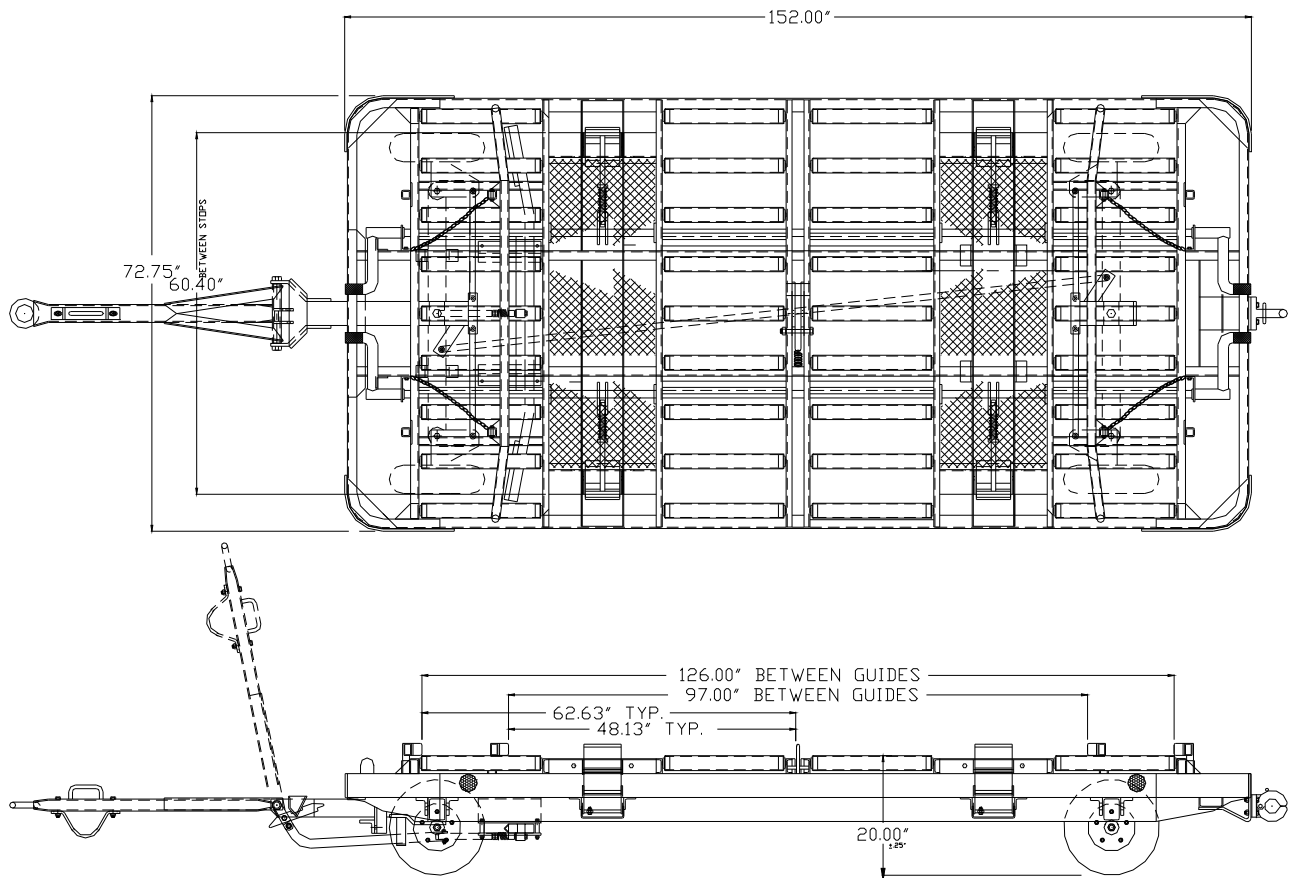
- **Hot Dip Galvanizing**

***“FIRST CLASS DOESN'T HAVE TO COST MORE”***

---

Watkins Aircraft Support Products  
Box 249 ■ Glenwood, MN 56334  
(320) 634-5885 FAX (320) 634-5881

# Container Dolly



## SPECIFICATIONS:

**WEIGHT:** 1800 lbs. (816.47 kg)

**TIRES:** 4.00 x 8 x 15-3/4" - Solid Rubber.

**HUBS:** 1-3/8" Dia., with sealed Timken bearings.

**REFLECTORS:** 8 - 3" Dia. Reflectors; Amber on Front, Red on Rear.

**REAR HITCH:** Pintle Hook - Standard. E-Hitch also available.

**TRACK WIDTH:** 60" (1524 mm)

**RIMS:** 7 GA., 5-bolt, 4-1/2" BC, 2 piece Demountable.

**TIE ROD ENDS:** 3/4" Automotive Type.

**PALLET STOPS:** Manual Overcenter Type with Vertical Restraint.

**BED ROLLERS:** 2-1/2" Dia., 11 GA., with sealed bearings and 11/16" hex shaft.

Watkins Aircraft Support Products  
Box 249 ■ Glenwood, MN 56334  
(320) 634-5885 FAX (320) 634-5881