

CONTAINER DOLLY



Model A04283D - Double Ackerman Steering, LD-1, LD-3

Model A04299D - Double Ackerman Steering, LD-1, LD-2, LD-3

Model A04301D - Single Ackerman Steering, LD-1, LD-3

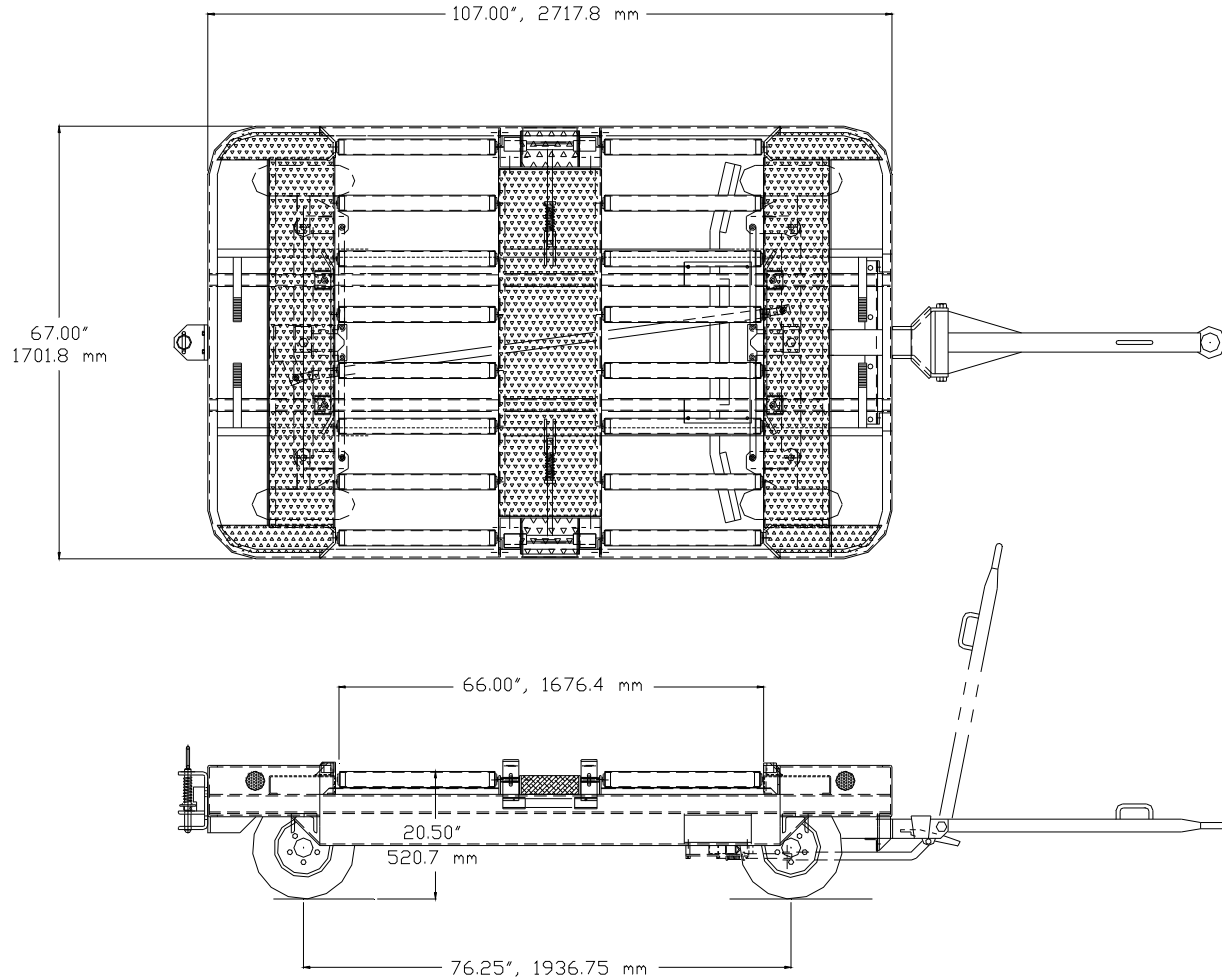
FEATURES:

- Capacity: One Each, LD-1, LD-2 or LD-3 Container
- 3,500 lbs. (1587.57 kg) Cargo Capacity
- 20-25 MPH Towing Speed
- Heavy Duty 1/4" Steel Plate Perimeter Frame
- All Sealed Bearings
- Towbar Actuated Front Wheel Parking Brakes
- Manual Overcenter Container Locks for Vertical and Horizontal Restraint
- Double or Single Ackerman Steering
- Main Frame Corners Radiused to Minimize Collision Damage
- Epoxy Powdercoated per Customer Color
- Hot Dip Galvanizing Optional

“FIRST CLASS DOESN'T HAVE TO COST MORE”

WASP, Inc.
Box 249 ■ Glenwood, MN 56334
(320) 634-5885 FAX (320) 634-5881

Container Dolly



SPECIFICATIONS:

WEIGHT: 1300 lbs. (589.67 kg)

TIRES: 4.00 x 8 x 16" OD - Solid Rubber.

HUBS: 1-3/8" Dia., with sealed Timken bearings.

REAR HITCH: Spring-Loaded E-Hitch, Standard.
Other Types Optional.

PALLET STOPS: Manual, Spring-Loaded
Overcenter.

WHEEL SPINDLES: 1-3/4" Dia.

RIMS: 7 GA., 5-bolt, 4-1/2" BC, 2 piece Demountable.

TIE ROD ENDS: 3/4" Automotive Type.

BED ROLLERS: 16 - 2-1/2" Dia., 11 GA., with sealed bearings and 11/16" hex shaft.

REFLECTORS: 8 Reflectors; Amber on Front, Red on Rear.

WASP, Inc.
Box 249 ■ Glenwood, MN 56334
(320) 634-5885 FAX (320) 634-5881